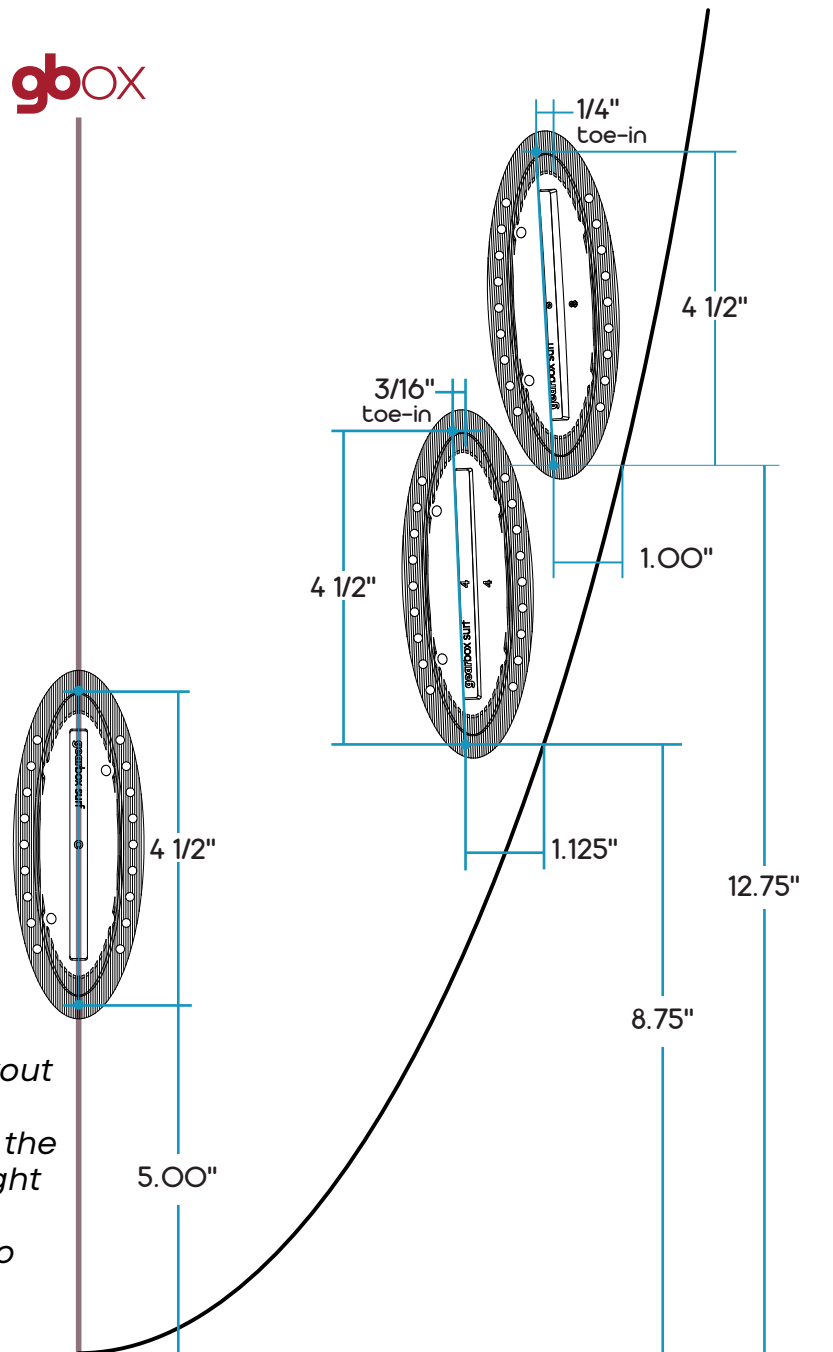


5FIN LAYOUT

gBOX



NOTE: if this layout is used with different boxes the back boxes might be able to be shifted closer to the rail.

This is our current layout for a **5FIN** for a typical surfboard. It is identical to the **QUAD** layout but with the addition of the center fin. The back fin placement should be moved further inboard for boards with a straighter outline in the tail (Fish), normally this can range from 1/8" to 1/4". **Cant angles** - FRONT 8° and BACK 4°. Because of the amount of adjustment in the **GBOX** boxes the placement has been altered to bring the two boxes closer together. This means that the spread of the fins can be altered by as much as 3/4" / 9.5mm.

gBOX

copyright© 2026 Mair Designs LLC All Rights Reserved

Shop 8, 190-192 The Entrance Road,
Long Jetty, NSW Australia
+61 2 4339 9580

PO Box 424
Hanalei, HI 96714
+1 808 639 5303

info@gbox-surf.com gbox-surf.com

DESIGN	GBOX 5FIN Layout		
DESCRIPTION	Current 5FIN layout for a typical surfboard		
DESIGNER	Robin Mair	SCALE	No Scale
DATE	2026-05-06	REVISION	5