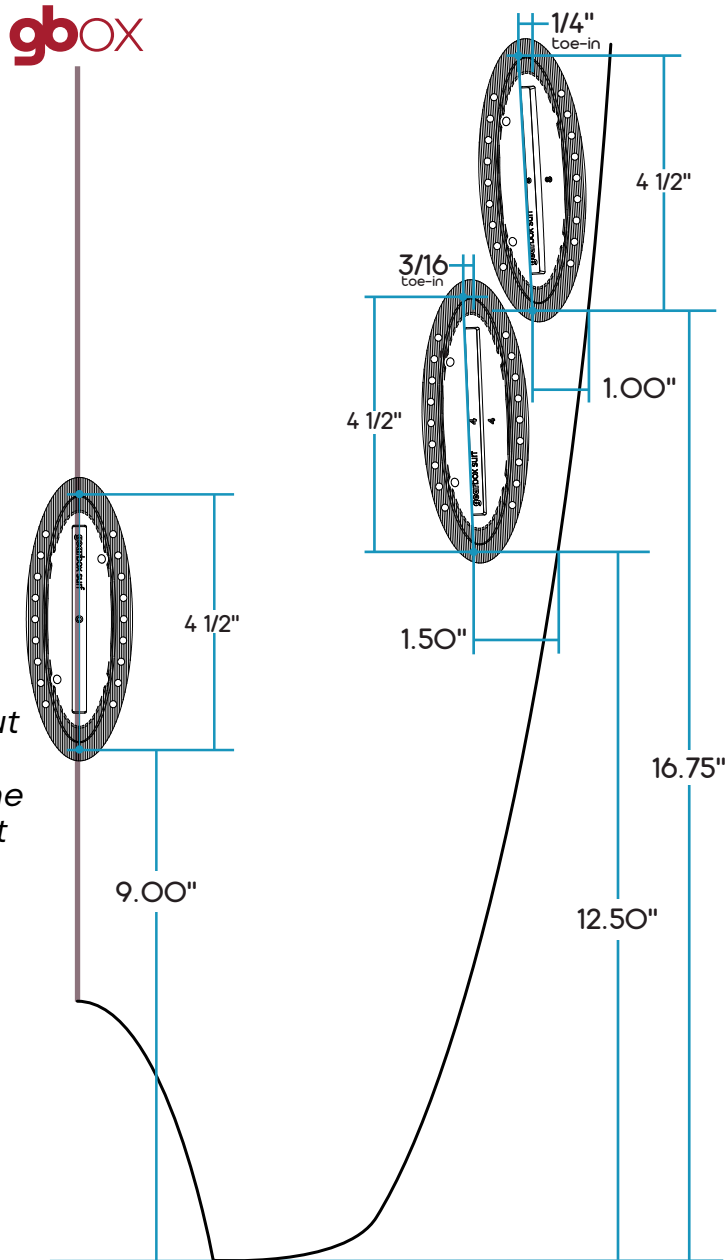


# KNEEBOARD 5FIN LAYOUT



**NOTE:** if this layout is used with different boxes the back boxes might be able to be shifted closer to the rail.

This is our layout for a **5FIN** on a kneeboard. It is identical to the standard **QUAD** layout but with the addition of a center box. This should be considered a starting point for your own designs. **Cant angles** – FRONT 8° and BACK 4° boxes. Because of the amount of adjustment in the **GBOX** boxes the placement can be altered by as much as 3/4" / 9.5mm., so consider incorporating this into the layout.



copyright© 2026 Mair Designs LLC All Rights Reserved

Shop 8, 190-192 The Entrance Road,  
Long Jetty, NSW Australia  
+61 2 4339 9580

PO Box 424  
Hanalei, HI 96714  
+1 808 639 5303

info@gbox-surf.com gbox-surf.com

DESIGN	GBOX Kneeboard 5FIN Layout		
DESCRIPTION	Current 5FIN layout for a typical kneeboard		
DESIGNER	Robin Mair	SCALE	No Scale
DATE	2026-05-06	REVISION	5