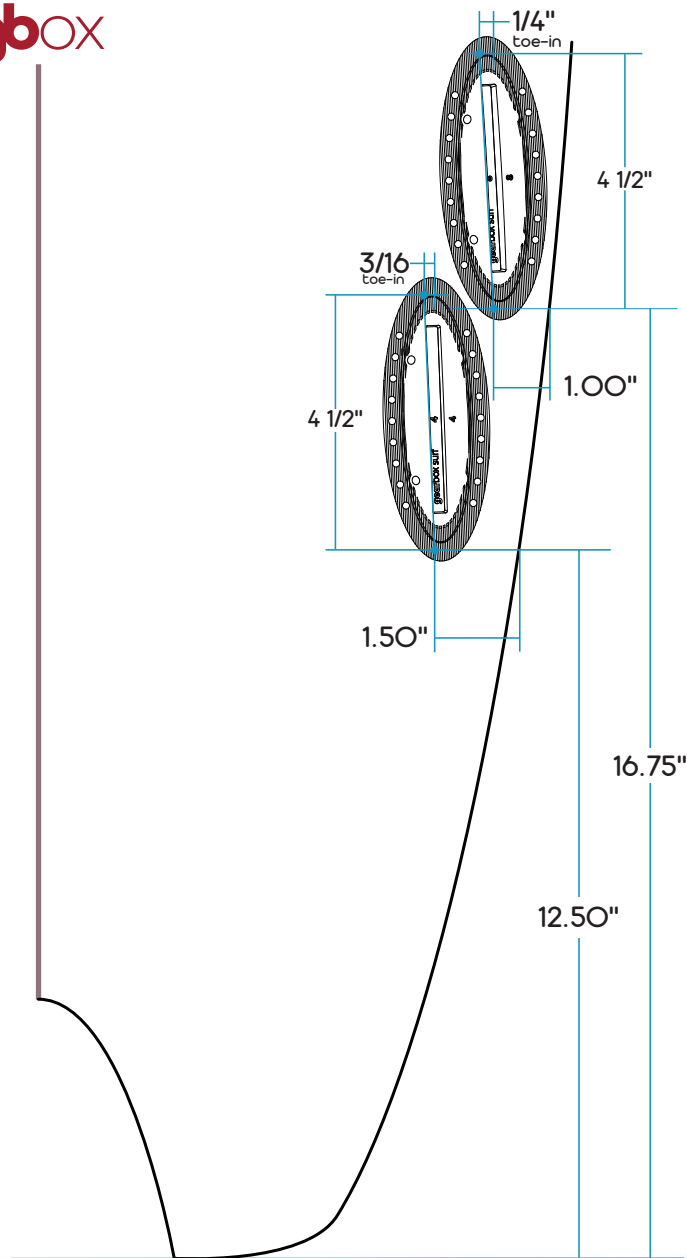


# KNEEBOARD QUAD LAYOUT



**NOTE:** if this layout is used with different boxes the back boxes might be able to be shifted closer to the rail.

This is our layout for a **QUAD** on a kneeboard. Typically, the back fin is placed the same distance in from the rail as the front fin, but on fishes the straighter outline requires the back fin to be shifted in a little more to keep some spread from the front fin. This should be considered a starting point for your own designs. **Cant angles** - FRONT 8° and BACK 4°. Because of the amount of adjustment in the **GBOX** boxes the placement can be altered by as much as 3/4" / 9.5mm., so consider incorporating this into the layout.



copyright© 2026 Mair Designs LLC All Rights Reserved

Shop 8, 190-192 The Entrance Road,  
Long Jetty, NSW Australia  
+61 2 4339 9580

PO Box 424  
Hanalei, HI 96714  
+1 808 639 5303

info@gbox-surf.com gbox-surf.com

DESIGN	GBOX Kneeboard QUAD Layout		
DESCRIPTION	Current QUAD layout for a typical kneeboard		
DESIGNER	Robin Mair	SCALE	No Scale
DATE	2026-05-06	REVISION	5