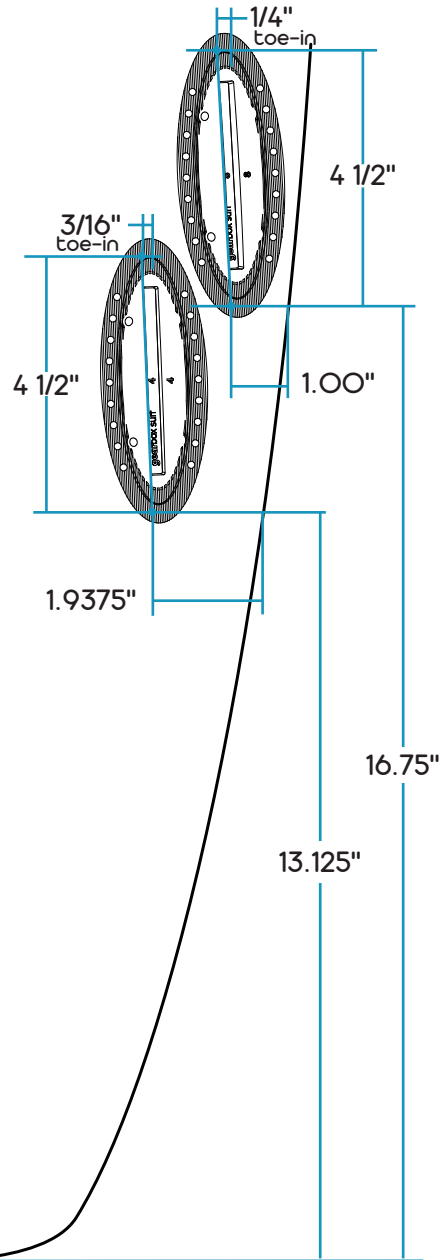


KNEEBOARD TWINZER LAYOUT



NOTE: *if this layout is used with different boxes the back boxes might be able to be shifted closer to the rail.*

This is our layout for a **TWINZER** or our **POWER ASSIST** on a typical kneeboard. This should be considered a starting point for your own designs. The cluster should be moved forward or back as the length of the board changes. This grouping of the cluster works for either a twinzer or a power assist and the relationship between the boxes should be maintained regardless of where the front controlling box is placed. **Cant angles** - FRONT 8° and BACK 4°. Because of the amount of adjustment in the **GBOX** boxes the placement can be altered by as much as 3/4" / 9.5mm., so consider incorporating this into the layout.



copyright© 2026 Mair Designs LLC All Rights Reserved

Shop 8, 190-192 The Entrance Road,
Long Jetty, NSW Australia
+61 2 4339 9580

PO Box 424
Hanalei, HI 96714
+1 808 639 5303

info@gbox-surf.com gbox-surf.com

DESIGN	GBOX Kneeboard TWINZER Layout		
DESCRIPTION	Current TWINZER layout for a typical kneeboard		
DESIGNER	Robin Mair	SCALE	No Scale
DATE	2026-05-06	REVISION	5