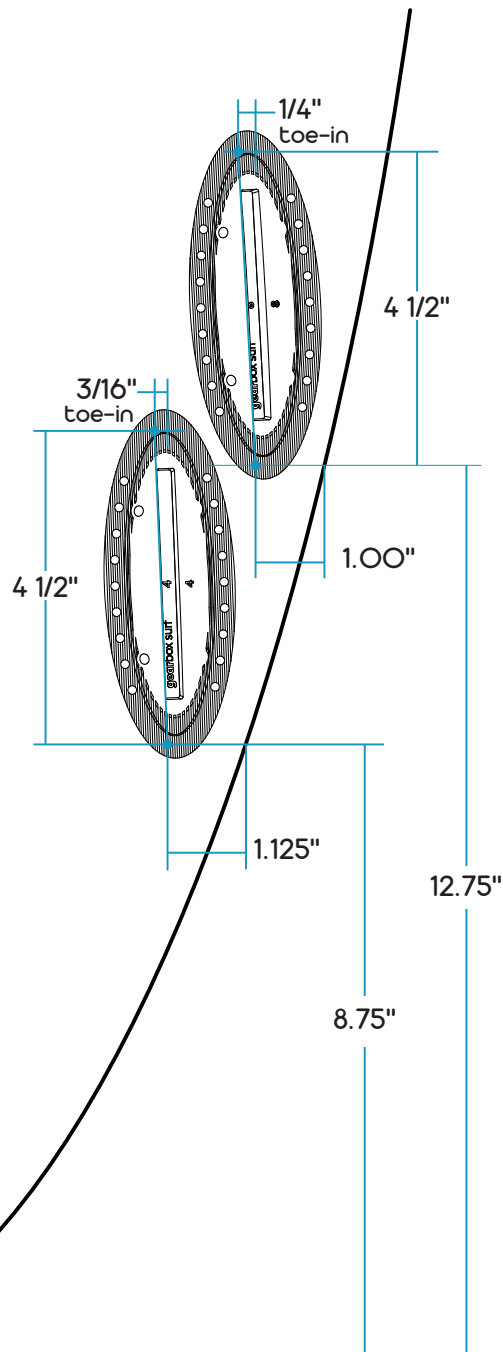


QUAD LAYOUT



NOTE: if this layout is used with different boxes the back boxes might be able to be shifted closer to the rail.

This is our current layout for a **QUAD** for a typical shortboard. This should be considered a starting point for your own designs. The cluster should be moved forward or back as the length of the board changes. This grouping of the cluster works well as a modern setup, if more stiffness is needed the boxes can be spread further apart, as needed. The back fin placement should be moved further inboard for boards with a straighter outline in the tail (Fish), normally this can range from 1/8" to 1/4". **Cant angles** - FRONT 8° and BACK 4°. Because of the amount of adjustment in the **GBOX** boxes the placement has been altered to bring the two boxes closer together. This means that the spread of the fins can be altered by as much as 3/4" / 9.5mm,.



copyright© 2026 Mair Designs LLC All Rights Reserved

Shop 8, 190-192 The Entrance Road,
Long Jetty, NSW Australia
+61 2 4339 9580

PO Box 424
Hanalei, HI 96714
+1 808 639 5303

info@gbox-surf.com gbox-surf.com

DESIGN	GBOX QUAD Layout		
DESCRIPTION	Current QUAD layout for a typical board		
DESIGNER	Robin Mair	SCALE	No Scale
DATE	2026-05-06	REVISION	5