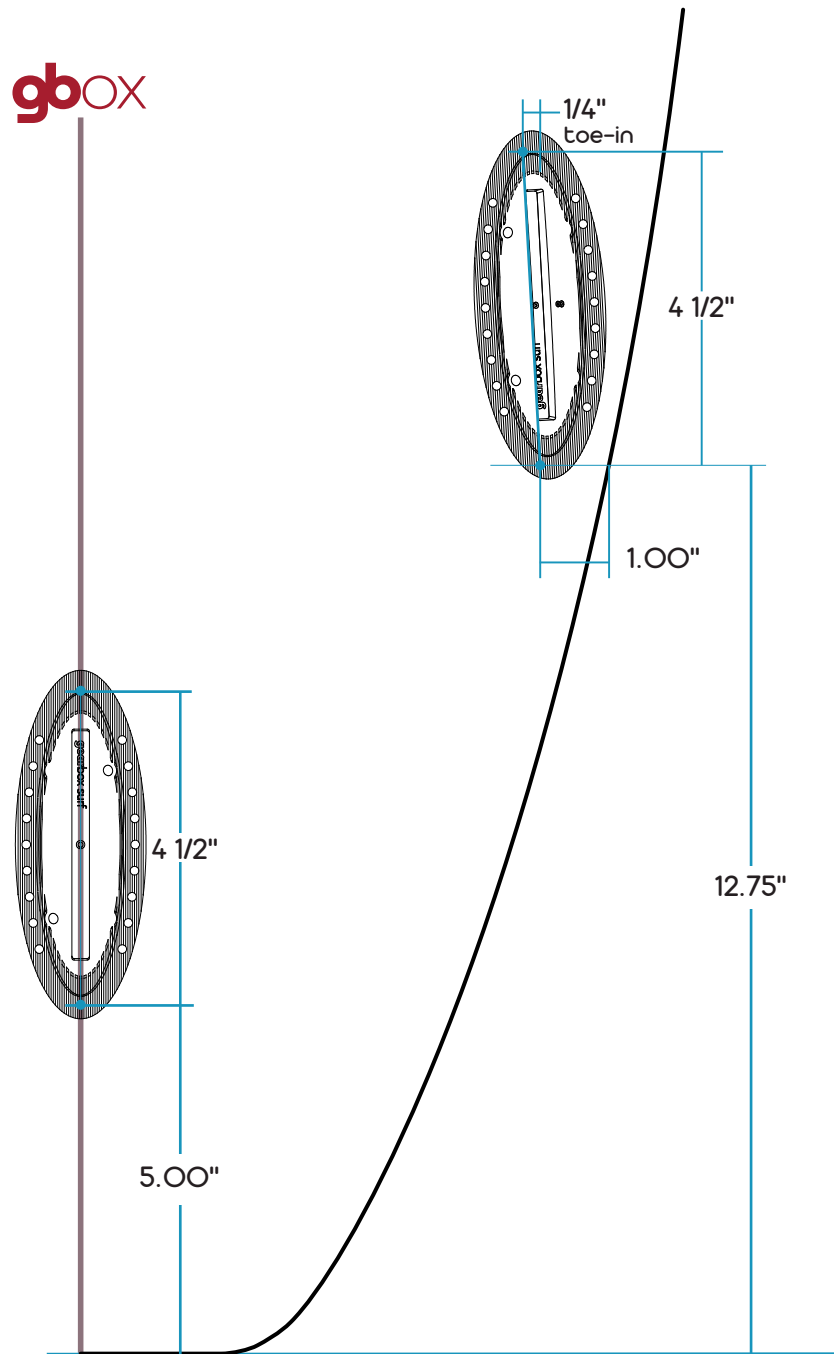


# THRUSTER LAYOUT



This is our current layout for a **THRUSTER** for a typical shortboard. This should be considered a starting point for your own designs. The side boxes should be moved forward or back as the length of the board changes. **Cant angles** - FRONT 6° or 8° depending on desired looseness. Because of the amount of adjustment in the **GBOX** boxes the placement can be altered by as much as 3/8" / 4.75mm.



copyright© 2026 Mair Designs LLC All Rights Reserved

Shop 8, 190-192 The Entrance Road,  
Long Jetty, NSW Australia  
+61 2 4339 9580

PO Box 424  
Hanalei, HI 96714  
+1 808 639 5303

info@gbox-surf.com gbox-surf.com

DESIGN	GBOX THRUSTER Layout		
DESCRIPTION	Current THRUSTER layout for a typical surfboard		
DESIGNER	Robin Mair	SCALE	No Scale
DATE	2026-05-06	REVISION	5