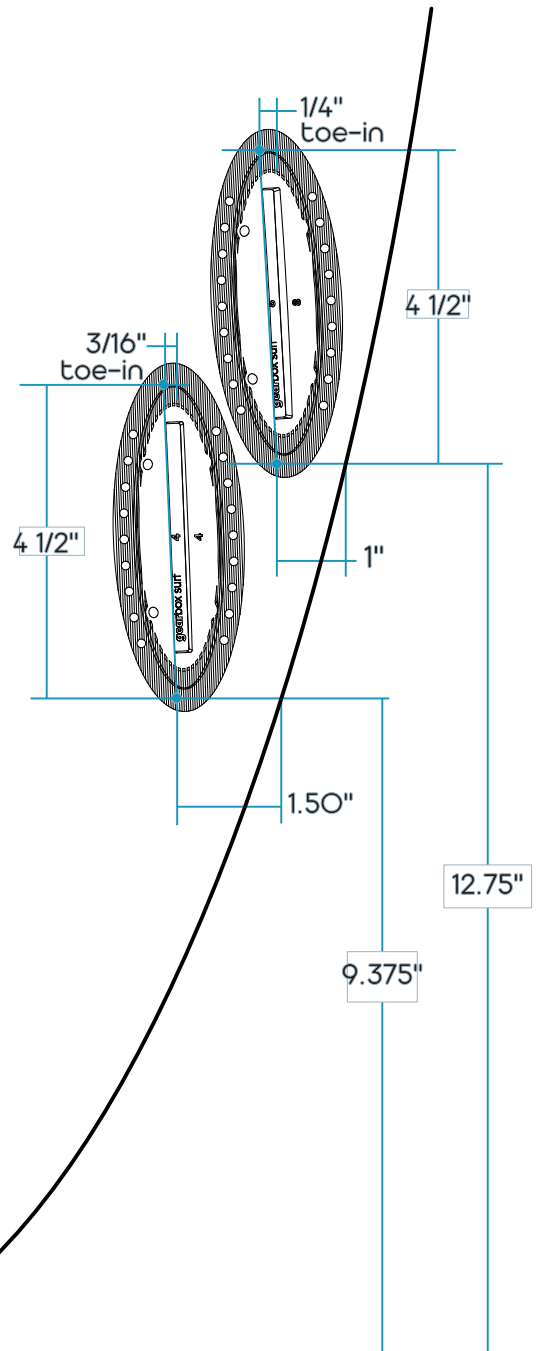


TWINZER/POWER ASSIST LAYOUT



NOTE: if this layout is used with different boxes the back boxes might be able to be shifted closer to the rail.

This is our layout for a **TWINZER** or our **POWER ASSIST** on a typical surfboard. This should be considered a starting point for your own designs. The cluster should be moved forward or back as the length of the board changes. This grouping of the cluster works for either a twinzer or a power assist and the relationship between the boxes should be maintained regardless of where the front box is placed. **Cant angles** - 8° front and 4° back. Because of the amount of adjustment in the **GBOX** boxes the placement has been altered to align the back of the front slot and the front of the back slot. This means that the spread of the fins can alter by 3/4" / 9.5mm, allowing layout to also serve as a quad.



copyright© 2026 Mair Designs LLC All Rights Reserved

Shop 8, 190-192 The Entrance Road,
Long Jetty, NSW Australia
+61 2 4339 9580

PO Box 424
Hanalei, HI 96714
+1 808 639 5303

info@gbox-surf.com gbox-surf.com

DESIGN	GBOX TWINZER or POWER ASSIST Layout		
DESCRIPTION	Current TWINZER layout for a typical board		
DESIGNER	Robin Mair	SCALE	No Scale
DATE	2026-05-06	REVISION	5